



MAGIS 300-500-600 W Quartz Halogen Fresnel Spotlight



Mod. 300



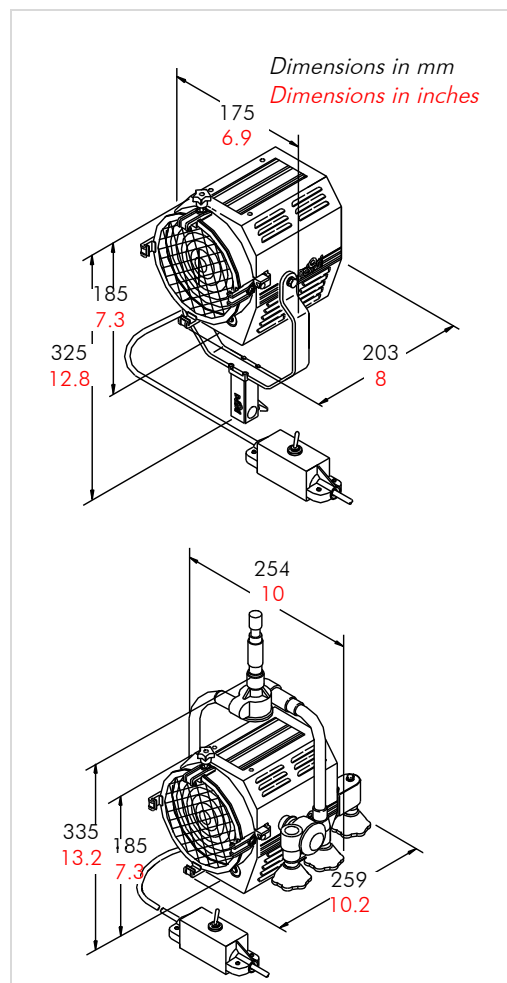
Mod. 301

FEATURES

- Compact, highly efficient Fresnel lens spotlight using tungsten-quartz-halogen filament lamps having GY 9,5 socket, L.C.L. of 46,5 mm. and max. 650 kW power .
- 120 mm. diameter high quality, shock resistant Borosilicate glass Fresnel lens on spring supports.
- Rugged and Lightweight STAINLESS STEEL housing with low glare black epoxy powder coating, with internal double walls and reinforces.
- High efficiency convection cooling.
- GY 9,5 bi-post socket for tungsten halogen lamps.
- Special bimetallic clad aluminum reflector for high degree of reflectivity and thermal resistance for long life.
- Brass Helix Screw on TEFLON socket driven focus mechanism which guides Teflon bushings supported lamp carriage along 2 stainless steel rails. This ensures smooth operation, and restricts bouncing or chattering of the lamp carriage during focusing, in any tilting position of the fixture, avoiding lamp failures during operation. The Teflon bushings also provide a wiping action, which cleans the stainless steel guide rails during focus. The focusing mechanism can be activated from the rear of the fixture and the whole spot to flood action is accomplished with 1 and half turn of the focusing knob.
- The unit is equipped with a hinged lens door with wire-guard for easy access to the lamp, it includes 4 accessory holding brackets. One of the 4 brackets has a locking knob and is spring loaded, it can be locked to either safely hold barndoor, color frame and scrims or to be rotated 90° and locked in an open position for fast accessories changes.
- The accessories are secure regardless of the orientation of the fixture. Accessories have been designed for one hand installation.
- Available with either positive lock manual yokes for comfort and ease of handling, or pole operated yokes which can be used via the lighting pole for Panning and Tilting the lights as well as manually, since the mechanical activators are equipped with clutches.

CHARACTERISTICS & PERFORMANCE DATA

| DESCRIPTION | VALUE | |
|---------------------------------------|---|--|
| ➤ Amperage | Europe | America |
| | 230 V 2,9 A (650W) | 120 V 5,5 A (650 W) |
| ➤ Power supply | Europe | America |
| | 230 V / 0-60 Hz | 120 V / 0-60 Hz |
| ➤ Switch on line | M.O. & P.O. | |
| | Toggle : 16A\125V - 8A\250V | |
| ➤ Lamp Holder | GY 9,5 | |
| ➤ Power Cable | Europe | America |
| | 3 x 1,5 mm ² – 150°C (0,5 m silicon 180 °C + 3m H07RN-F 90°C) | 3 x 16 Awg (0,5 m high T 200°C + 3m SO 90°C + Plug |
| ➤ Protection Class | Class 1– ground connection required | |
| ➤ Protection Type | IP 22 | |
| ➤ Max. Housing Surface Temperature | 220° C | |
| ➤ Weight of Fixture | M.O. | P.O. |
| | 2,4 kg. | 4,7 kg. |
| ➤ Weight of Barndoor | 4 leaf | 8 leaf |
| | 0,3 kg. | 0,4 kg. |
| ➤ Size of Barndoor ring | Diameter | |
| | 133 mm | |
| ➤ Weight of color frame | 0,25 kg. | |
| ➤ Size of scrims & color frame | Diameter | |
| | 129 mm. | |
| ➤ Lens diameter | 120 mm. | |



USABLE LAMPS

| base-watt-filament | 230 v | | 120 v | |
|-----------------------|-------|-------|-------|-------|
| | ANSI | LIF | ANSI | LIF |
| GY 9,5 – 300 w – M Sh | FSL | CP 81 | FKW | CP 81 |
| GY 9,5 – 500 w – MP | FRH | CP 82 | FRG | CP 82 |
| GY 9,5 – 650 w – MP | FRL | CP 89 | FRK | CP 89 |

WORKING CONDITIONS

| | | | | |
|---|---|-------------|--------------|------------|
| ➤ Working Position | Lighting fixture: Max. Tilting $\pm 90^\circ$ from horizontal | | | Lamp: S90 |
| ➤ Ambient Temperature, t_a | +45° C Max | | | |
| ➤ Minimum distances from inflammable surfaces | Top 0,3 m. | Back 0,1 m. | Sides 0,1 m. | Front 1 m. |

PHOTOMETRIC DATA

PHOTOMETRIC DATA MAGIS (300 W LAMP)

Values measured with: CP 81 Lamp - 200 V, 120 mm, F.Fresnel Lens

| | | FEET | | | | METERS | | | |
|--|--------------|--|-------|-------|-------|--|--------|---------|---------|
| TYPICAL DISTANCES | | 10' | 20' | 30' | 40' | 3,0 | 6,0 | 9,0 | 12,0 |
| LIGHT CENTER VALUES | Candle Power | Footcandles | | | | Lux | | | |
| SPOT | 27.000 | 270 | 68 | 30 | 17 | 3.000 | 750 | 333 | 188 |
| FLOOD | 3.250 | 33 | 8 | 4 | 2 | 361 | 90 | 40 | 23 |
| BEAM ANGLE (50% of center value) | | F.C. AT ANY DISTANCE = Candle Power : (distance in ft) ² | | | | LUX. AT ANY DISTANCE = Candle Power : (distance in ft) ² | | | |
| | | BEAM DIAMETER (W x H in feet) | | | | BEAM DIAMETER (W x H in meters) | | | |
| SPOT | 7,2° | 1.3' | 2.5' | 3.8' | 5.0' | 0,4 mt | 0,8 mt | 1,1 mt | 1,5 mt |
| FLOOD | 51,5° | 9.6' | 19.3' | 28.9' | 38.6' | 2,9 mt | 5,8 mt | 8,7 mt | 11,6 mt |
| FIELD ANGLE (10% of center value) | | BEAM DIAMETER (W x H in feet) | | | | BEAM DIAMETER (W x H in meters) | | | |
| SPOT | 15,5° | 2.7' | 5.4' | 8.2' | 10.9' | 0,8 mt | 1,6 mt | 2,4 mt | 3,3 mt |
| FLOOD | 64,5° | 12.6' | 25.2' | 37.9' | 50.5' | 3,8 mt | 7,6 mt | 11,4 mt | 15,1 mt |

PHOTOMETRIC DATA MAGIS (500 W LAMP)

Values measured with: CP 82 Lamp – 220 V, 120 mm. F Fresnel Lens

| | | FEET | | | | METERS | | | |
|--|--------------|--|-------|-------|-------|--|--------|---------|---------|
| TYPICAL DISTANCES | | 10' | 20' | 30' | 40' | 3,0 | 6,0 | 9,0 | 12,0 |
| LIGHT CENTER VALUES | Candle Power | Footcandles | | | | Lux | | | |
| SPOT | 42.030 | 420 | 105 | 47 | 26 | 4.670 | 1.168 | 519 | 292 |
| FLOOD | 3.250 | 59 | 15 | 7 | 4 | 650 | 163 | 72 | 41 |
| BEAM ANGLE (50% of center value) | | F.C. AT ANY DISTANCE = Candle Power : (distance in ft) ² | | | | LUX. AT ANY DISTANCE = Candle Power : (distance in ft) ² | | | |
| | | BEAM DIAMETER (W x H in feet) | | | | BEAM DIAMETER (W x H in meters) | | | |
| SPOT | 7,2° | 1.4' | 2.8' | 4.2' | 5.6' | 0,4 mt | 0,8 mt | 1,3 mt | 1,7 mt |
| FLOOD | 51,5° | 9.9' | 19.8' | 29.7' | 39.6' | 3,0 mt | 5,9 mt | 8,9 mt | 11,9 mt |
| FIELD ANGLE (10% of center value) | | BEAM DIAMETER (W x H in feet) | | | | BEAM DIAMETER (W x H in meters) | | | |
| SPOT | 15,5° | 3.0' | 5.9' | 8.9' | 11.9' | 0,9 mt | 1,8 mt | 2,7 mt | 3,6 mt |
| FLOOD | 64,5° | 11.9' | 23.8' | 35.8' | 47.7' | 3,6 mt | 7,2 mt | 10,7 mt | 14,3 mt |

| Values measured with: CP 89 Lamp – 220 V, 120 mm. F Fresnel Lens | | | | | | | | | |
|--|--------------|--|-------|-------|-------|--|--------|---------|---------|
| | | FEET | | | | METERS | | | |
| TYPICAL DISTANCES | | 10' | 20' | 30' | 40' | 3,0 | 6,0 | 9,0 | 12,0 |
| LIGHT CENTER VALUES | Candle Power | Footcandles | | | | Lux | | | |
| SPOT | 77.994 | 780 | 195 | 87 | 49 | 4.670 | 1.168 | 519 | 292 |
| FLOOD | 11.250 | 113 | 28 | 13 | 7 | 650 | 163 | 72 | 41 |
| BEAM ANGLE (50% of center value) | | F.C. AT ANY DISTANCE = Candle Power : (distance in ft) ² | | | | LUX. AT ANY DISTANCE = Candle Power : (distance in ft) ² | | | |
| | | BEAM DIAMETER (W x H in feet) | | | | BEAM DIAMETER (W x H in meters) | | | |
| SPOT | 7,2° | 1.4' | 2.8' | 4.2' | 5.6' | 0,4 mt | 0,8 mt | 1,3 mt | 1,7 mt |
| FLOOD | 51,5° | 8.7' | 17.4' | 26.2' | 34.9' | 2,6 mt | 5,2 mt | 7,8 mt | 10,5 mt |
| FIELD ANGLE (10% of center value) | | BEAM DIAMETER (W x H in feet) | | | | BEAM DIAMETER (W x H in meters) | | | |
| SPOT | 15,5° | 2.8' | 5.7' | 8.5' | 11.3' | 0,8 mt | 1,7 mt | 2,5 mt | 3,4 mt |
| FLOOD | 64,5° | 11.4' | 22.8' | 34.2' | 45.6' | 3,4 mt | 6,8 mt | 10,3 mt | 13,7 mt |

VERSIONS & MODEL NUMBERS

- 300.600** Kit includes: 3 x Magis 300/500/650 W M.O. (300.100), 3 x barndoor (306.100), 3 x colour frame (307.100), 3 x set of scrims (309.100), 3 x stand (A620B), fly case (300.601), without lamps.
- 300.150** **MAGIS 300/500/650 W M.O.** Stainless Steel Fresnel Spotlight including: 120 mm. lens, 3 mt. power cable, 10 A inline toggle switch, GY9,5 lamp holder, wire guard (305.300), manual operated stirrup with 16 mm. Socket (300.100.40), four leaf rotating barndoor (306.100), colour frame (307.100).
- 301.150** **MAGIS 300/500/650 W P.O.** Stainless Steel Fresnel Spotlight including: 120 mm. lens, 3 mt. power cable, 10 A inline toggle switch, GY9,5 lamp holder, wire guard (305.300), pole operated stirrup with 28mm. spigot (301.110.40), four leaf rotating barndoor (306.100), colour frame (307.100)

ACCESSORIES TYPES & MODELS NUMBERS

- 300.100.40 Flat aluminium (M.O.) stirrup with 16 mm. Socket (5/8")
- 300.200.40 Flat aluminum (M.O.) stirrup with 8,5 mm. Hole
- 301.110.40 Pole operated stirrup with 28,57 mm. spigot (B.S. 1 1/8"), with top end for attachment to "C" clamp.
- 301.300.40 Pole operated stirrup with 28,00 mm. spigot (D.I.N.)
- 300.601 Fly case in black and yellow, antiscratch finished, laminated wood and aluminium profiles.
Heavy duty cam-lock and hinges for: Magis kit 300.600-DLK 380-DLK3100.
- 305.300 Stainless Steel wire guard
- 306.100 Four leaf rotating barndoor
- 306.200 Eight way rotating barndoor

| | |
|------------|--|
| 307.100 | Colour Frame |
| 308.100 | Cone with two discs (with front aperture diameter: 70 mm. 50 mm. 30 mm.) |
| 309.100 | Set of scrims - Stainless steel |
| 309.101 | Full single scrim - Stainless steel |
| 309.102 | Full double scrim - Stainless steel |
| 309.103 | 1/2 single scrim - Stainless steel |
| 309.104 | 1/2 double scrim - Stainless steel |
| DGP-A620 B | Alu Black Kit stand, 16 mm spigot (B.S. 5/8" spigot) |

